

CLC2000[®]

CATHETER PATENCY DEVICE

Reduce Fibrin Formation in the Catheter



Positive Displacement

- The CLC2000 generates an automatic positive displacement flush upon disconnection of the syringe.
- The CLC2000 is *GUARANTEED* to prevent blood reflux into the catheter lumen which can otherwise lead to thrombotic occlusion.



Microbiological Barrier

- CLC2000 is a microbiological barrier which will prevent the ingress of micro-organisms if disinfected according to protocol.
- Fibrin formation is a known host to catheter related bloodstream infection - the CLC2000 is proven to reduce fibrin formation.



Saline Flush

- The CLC2000 is indicated for use with a saline flush which offers clinical and economic benefits.
- Saline flush may be used with the CLC2000 on any vascular access device including implantable ports.



ICU Medical, Inc.

951 Calle Amanecer, San Clemente, CA 92673, U.S.A.
Tel: +1 949 366 2183 • Fax: +1 949 366 8368 www.icumed.com

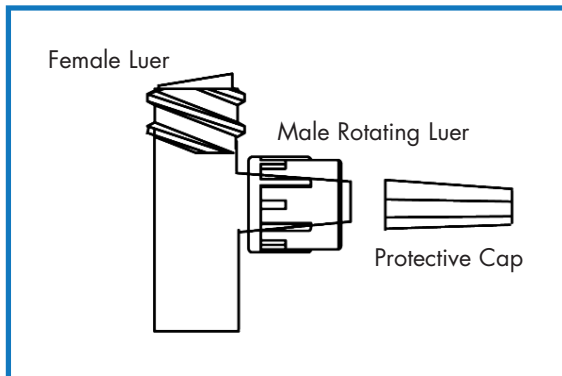
Guaranteed Performance

CLC2000®

For Central, Peripheral and Arterial Vascular Access Devices.

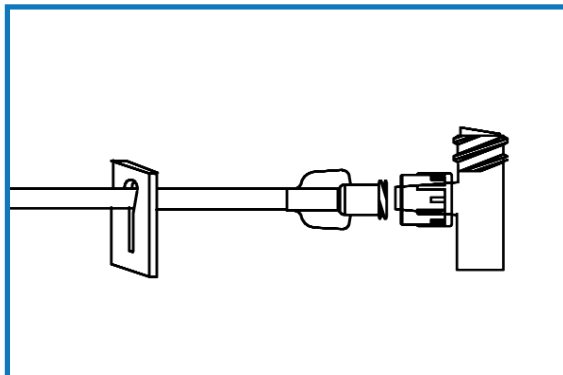
- *One piece swab-able connector*
- *Ultra high flow rates*
- *Low residual volume (dead-space)*
- *Needlefree Design*
- *Lipid and blood compatible*
- *Latex Free*

Directions for Use

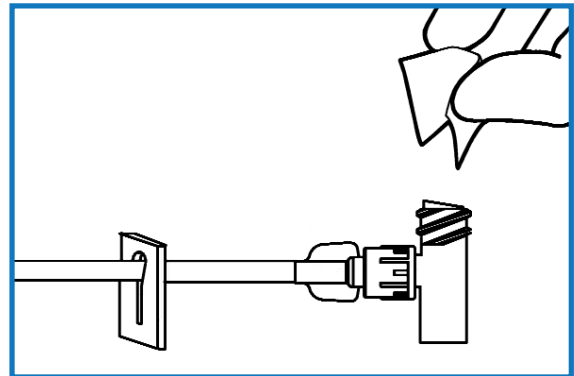


- 1) Using aseptic technique remove CLC2000 from package. Remove protective cap. Do not contaminate.
- 2) Attach a syringe or administration set to female luer and prime CLC2000 in accordance with facility protocol. Invert device to expel air.
- 3) Attach male rotating luer of CLC2000 to desired extension set or vascular access device. Push and twist male luer of CLC2000 into device until tight.

NOTE: Once the CLC2000 is secure, it may be rotated to achieve the most comfortable position on the patient's skin.



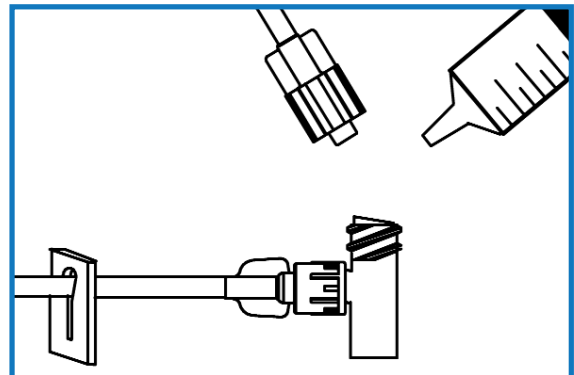
- 4) To access CLC2000, swab female luer with desired disinfectant in accordance with facility protocol.



- 5) Attach a fully primed syringe or administration set to CLC2000. Push and twist male luer of device into CLC2000 until tight.

NOTE: If using a rotating luer device, first push and twist luer slip into CLC2000 until tight, then lock down the spin collar. This will ensure a secure connection and optimal flow rates.

- 6) To disconnect from CLC2000, grasp CLC2000 and twist syringe or administration set away from CLC2000 until loose.
- 7) Flush CLC2000 after each use with normal saline, or in accordance with facility protocol.



- 8) For subsequent connections repeat from step four (4).

CAUTIONS: • **DO NOT CLAMP** catheter or extension set while disconnecting syringe or administration set from CLC2000, as this will interrupt the positive displacement • Do not cap CLC2000. Device is closed • Do not use needles to access • Federal (USA) law restricts this device to sale by or on the order of a physician • It is recommended this device be changed per CDC guidelines or per validated facility protocol.